

REF. 1494: GUEST CODE MODULE

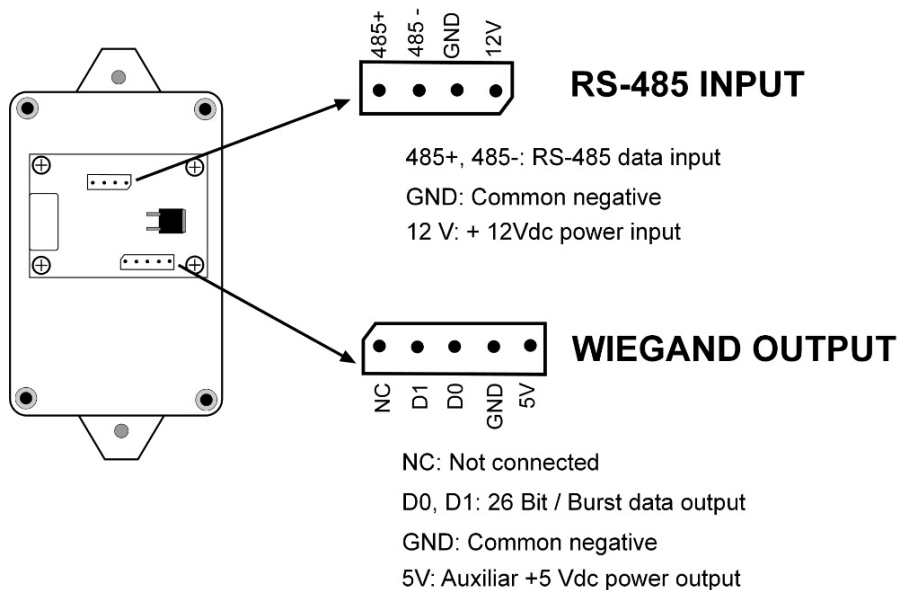
- The GUEST CODE function on MEET outdoor panels, available on MILO v2.10 and KIN v2.11 or higher, consists on allowing temporal access to certain users (guests) to access the building by entering a previously provided PIN access code.
- This function is performed by means of a Ref. 1494 GUEST CODE MODULE and a third party Access Control Unit which will be the one that issues the temporal valid codes.
- The keypad of the panel will turn into a Wiegand Keypad that will send the dialed code in Wiegand format to the Access Control Unit through the REF.1494 GUEST CODE MODULE.
- The Module Ref. 1494 can be powered from the same source as the MILO/KIN panel and is connected to the RS-485 connector on the panel.

TECHNICAL SPECS

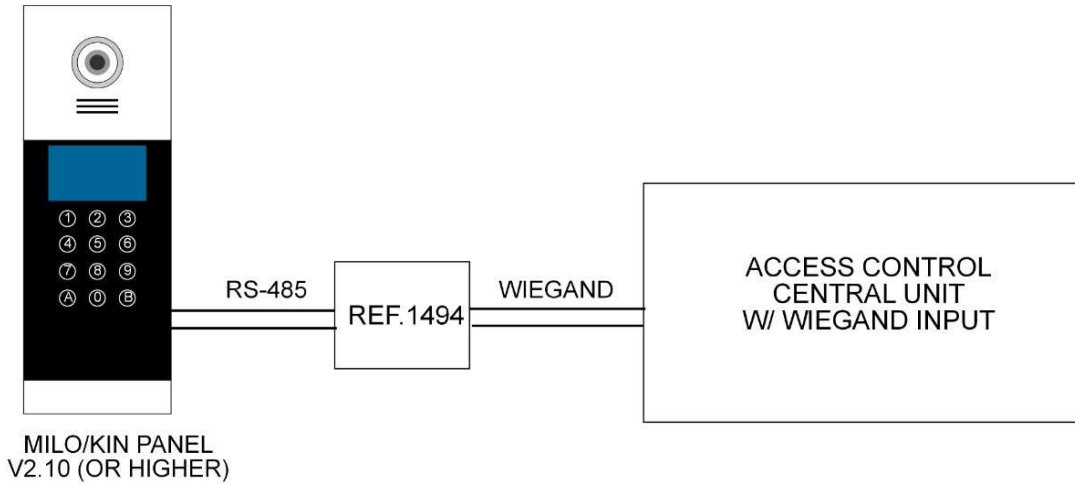


- 12 Vdc power supply
- Wiegand output voltage: 5Vdc
- Size 114,5 x 56,5 x 34 mm
- Weight: 110 gr

CONNECTIONS



BLOCK DIAGRAM



WIRING DIAGRAM

